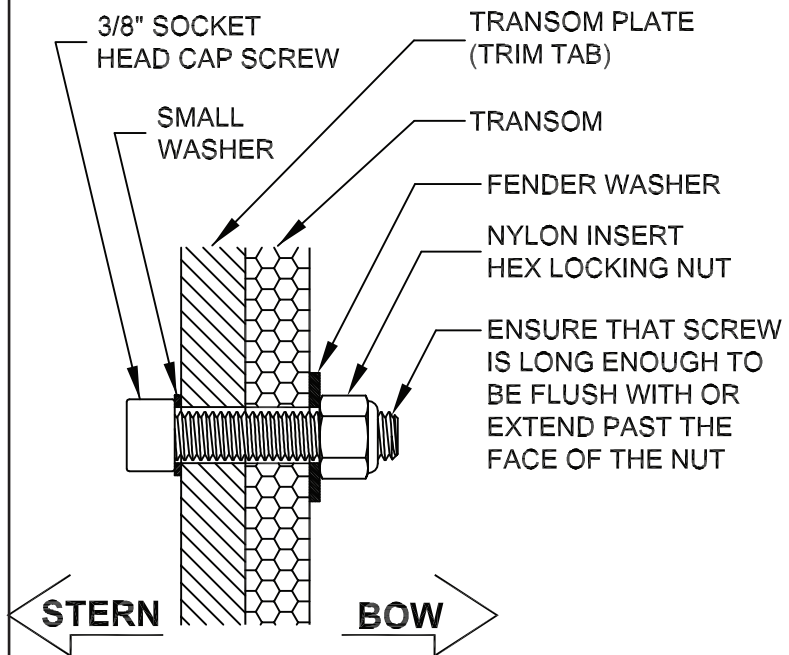


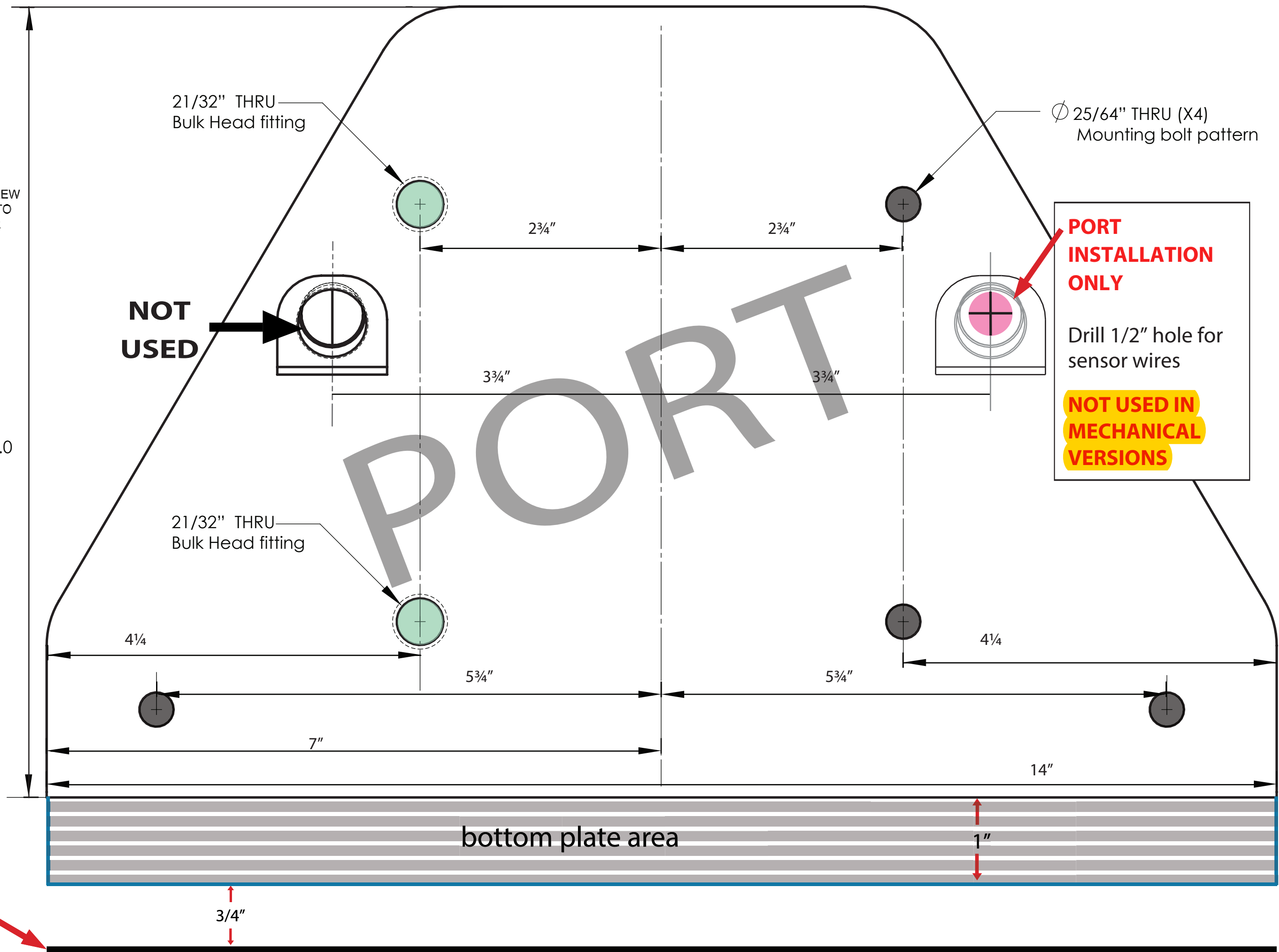
950 TRANSOM MOUNT TEMPLATE - PORT
 MERCURY BOLT PATTERN
 SCALE 1:1



TYPICAL FASTENER INSTALLATION

MUST BE PRINTED ON 15"X19" SIZE PAPER OR LARGER

9.0



PORT INSTALLATION ONLY
 Drill 1/2" hole for sensor wires
NOT USED IN MECHANICAL VERSIONS

LINE UP WITH THE BOTTOM OF THE BOAT FOR RECOMMENDED SETTING OF 3/4" FROM LOWER TRIM PLATE TO BOAT BOTTOM